



DIN 22.5mm

## Features:

- 3Ø - 3 Wire Input
- Monitors Under Voltage, Over Voltage, Phase Failure and Phase Sequence
- LED Indication : Power ON, Relay ON
- Trip Time Delay, Power ON Delay, Response Time, Recovery Time
- DIN Rail Mount
- Trip Delay (T) : 0 to 10 sec

### Display Specifications

Type	Analog
No. of LED	2
LED Indication	Power ON, Relay ON

### LED Indication Chart

Condition	'ON' LED	'R' LED
Nominal Condition	ON	ON
Fault Condition	ON	OFF

### Input Specifications

Functions	
Measurements	Under Voltage, Over Voltage, Phase Failure, Phase Sequence
Time Settings	Trip Time Delay
Reset	Autoreset on Removal of Fault Condition
Electrical Connection	3Ø - 3 wire
Trip Settings	
Under Voltage	310 to 405V AC (L - L)
Over Voltage	425 to 520V AC (L - L)
Phase Failure	Yes
Phase Sequence	Yes
Trip Time Settings	
Trip Time Delay	0 - 10sec (For under and over voltages) Instantaneous (For phase loss & phase sequence)
Power On Delay	400ms
Hysteresis	
Voltage	2V
Accuracy	
Time Setting Accuracy	±5% of Full Scale
Voltage	±0.5% of Full Scale

### Output Specifications

No. of Relays	1
Relay Contact	1 C/O (SPDT)
Relay Rating	NO / 5A, NC / 5A@250V AC, Resistive load

### Auxiliary Supply Specifications

Supply Specification	Self Powered
Nominal Input Voltage	415V AC (L - L)
Operating Voltage	310 to 520V AC (L - L)
Power Consumption	22 VA max
Frequency	50 / 60Hz

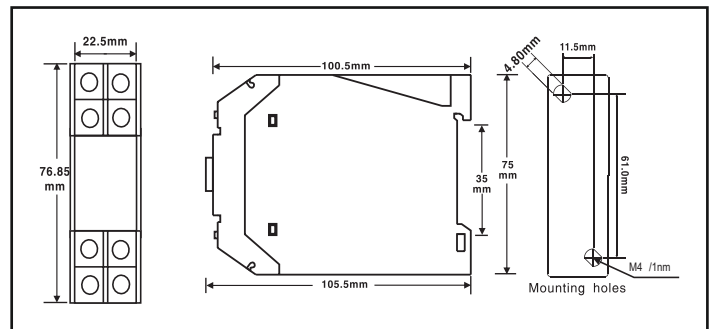
### Environmental Specifications

Temperature	Operating Temperature : 0° to 50°C Storage Temperature : -20° to 70°C
Humidity (non-condensing)	Upto 95% RH
Pollution Degree	
For PCB	2
For Product	3
Degree of Protection Devices	IP20

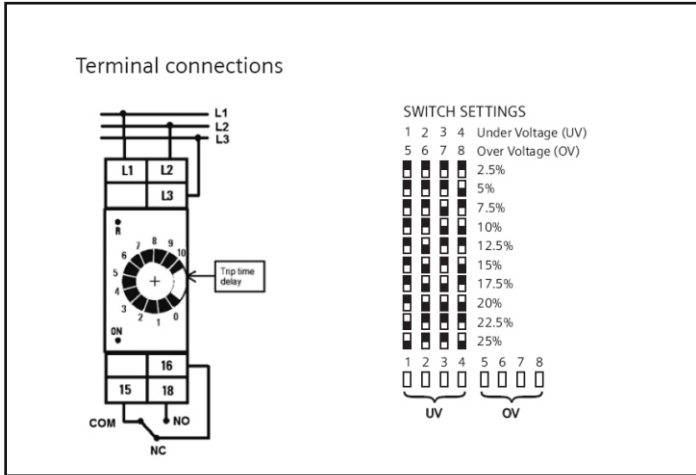
### Mechanical Specifications

Mouting	DIN Rail
Weight	100gms

### Dimensions



### Terminal Connection



### Ordering Information

Product Code	Operating Range	Certification
800VPR- 3	310 to 520V AC	—

### Timing Diagram

